

# E-Plex<sup>®</sup> 5000 Specifications

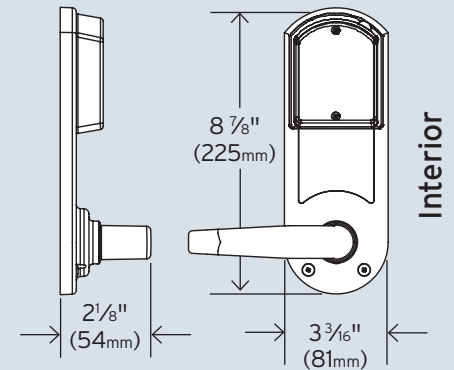
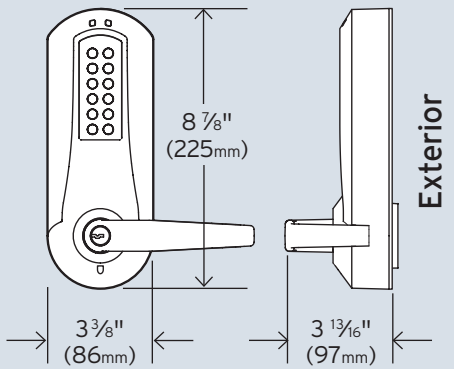


## Features

<b>Access Control:</b>	Electronic pushbutton lock—eliminates problems and costs associated with issuing, controlling and collecting keys, and cards
<b>Number of Codes:</b>	100 access codes per door (upgrade to 300 via software); over 100 million possible code combinations
<b>Audit Trail:</b>	The most recent 9,000 lock events are recorded in memory including use of the mechanical key override. Software is required to view audit events.
<b>Programming:</b>	Locks are programmed via keypad or with <i>optional</i> Microsoft Excel™ based software—simplifies management of doors and users as facility's number of users and access points grow
<b>Handing:</b>	Non-handed, preassembled for left hand door installations—easily changed in the field
<b>Key Override:</b>	Key-in-lever cylinders, small format interchangeable cores, large format removable cores
<b>Lock Function Customization:</b>	Locks are easily customized on site via keypad to work as various BHMA lock functions eliminating the requirement to stock multiple locks to meet different applications. Built-in options include: entry, storeroom, privacy, and residence lock, (thumbturn required for privacy and residence functions)
<b>Three Operation Modes:</b>	<ul style="list-style-type: none"> <li>• PIN access</li> <li>• Lockout</li> <li>• Passage—can be toggled on/off or can be preprogrammed to relock after a certain number of hours (from 1 to 24)</li> </ul>

## E-Plex 5000 Cylindrical

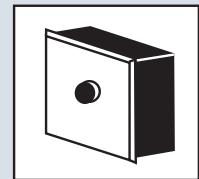
### Dimensions



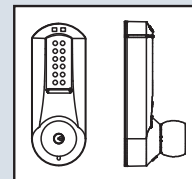
### Optional Features



• PC Software



• Remote Unlock



• Knob

## Features (Continued)

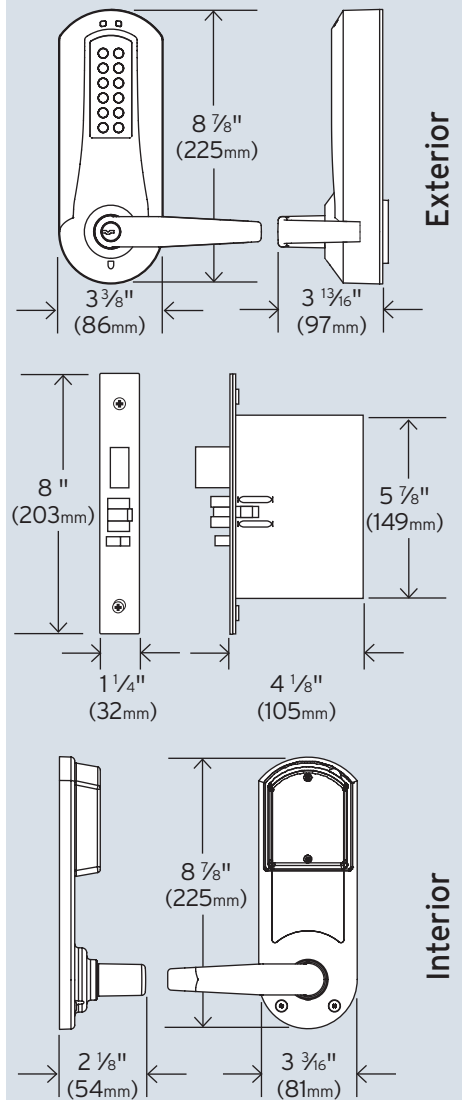
<b>Authority Levels:</b>	Five different levels allow you to control who has access to specific lock functions, includes: <b>Master Level</b> —performs all set-up and programming functions <b>Manager Level</b> —administers common programming functions <b>Access User Level</b> —entry granted with valid PIN <b>Service Level</b> —codes for single event or single day access, programmable in advance <b>Maintenance Level</b> —no access is granted, but information can be uploaded/downloaded to/from the lock
<b>User Parameters:</b>	<b>Code length</b> —Adjustable to accept 4 to 8 digits <b>Anti-tamper lockout</b> —Adjustable from 3 to 9 invalid attempts with an adjustable period of 0 to 90 seconds <b>Relock time</b> —Adjustable from 2 to 20 seconds
<b>Battery Operation:</b>	Batteries located in interior housing cover; offers quick and easy battery replacements (Four AA Alkaline batteries provide up to 180,000 cycles); lock data is maintained if batteries fail
<b>Ease of Installation:</b>	LectroBolt™ (patent pending) eliminates wiring to or through the door—no risk of pinched wires

## Mechanical Features

<b>Construction:</b>	Extra heavy-duty cylindrical lockset, solid cast housings, solid cast levers, cylindrical drive wear tested for extensive use in indoor and outdoor applications
<b>Numeric Keypad:</b>	Vandal resistant, solid metal pushbuttons
<b>Door Handing:</b>	<b>E-Plex 5000 Cylindrical and E-Plex Mortise</b> —Non-handed, preassembled for left-hand door installations—easily changed in the field <b>E-Plex 5000 Exit Trim</b> —Non-handed
<b>Backsets:</b>	<b>E-Plex 5000 Cylindrical</b> —2 ¾" (70 mm), 2 ⅜" (60 mm) <b>E-Plex 5000 Mortise</b> —2 ¾" (70 mm) <b>E-Plex 5000 Exit Trim</b> —Varies by exit device type
<b>Latch:</b>	<b>E-Plex 5000 Cylindrical</b> —½" (13 mm) latch, ¾" (19 mm) latch (optional) with 3 hour UL/ULC fire rating <b>E-Plex 5000 Mortise</b> —¾" (19 mm) latch, 1" (25 mm) deadbolt (optional)
<b>Minimum Stile Recommended:</b>	5" (127 mm)
<b>Weight:</b>	<b>E-Plex 5000 Cylindrical</b> —8 lbs. (3.63 kg) <b>E-Plex 5000 Mortise</b> —8 lbs. (3.63 kg) <b>E-Plex 5000 Exit Trim</b> —10 lbs. (4.54 kg)

## E-Plex 5000 Mortise

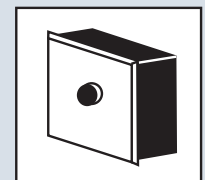
### Dimensions



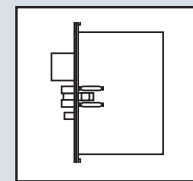
### Optional Features



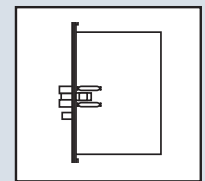
• PC Software



• Remote Unlock



• Deadbolt



• Without Deadbolt

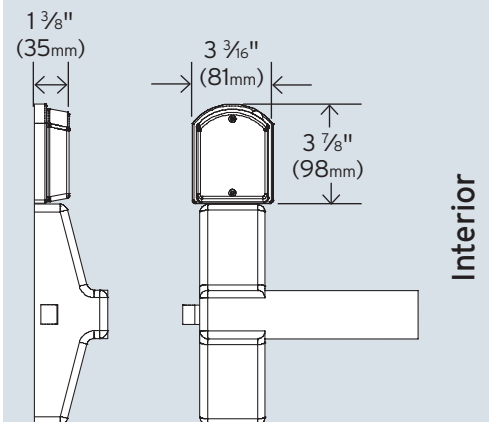
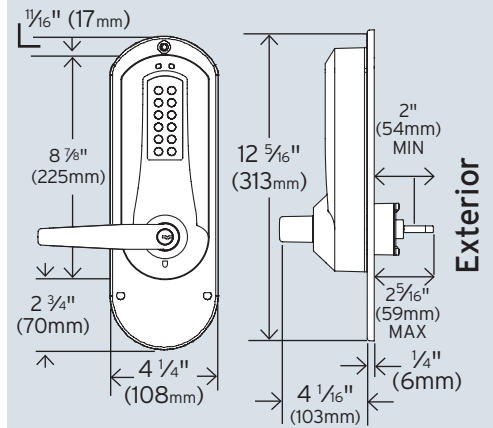
## Key Override

<b>Universal Key-In-Lever Cylinders:</b>	Includes Kaba 1599 6-pin cylinder (prepped to Kaba 90 or Schlage C keyway, keyed different) and tailpieces for compatibility with:	
	Abloy 5277	Kaba Gemini 4730
	Abloy 5477	Kaba Gemini 4730
	Arrow C100	Marks
	ASSA 65611	Medeco 20W200H1
	ASSA65691	Sargent 10 Line
	Corbin Russwin 2000-03	Schlage 23-001
	Kaba 1539	Schlage Primus 20-760
	Kaba1599	
	<b>Australian:</b> Kaba expert 107K5, Boyd KC286	
	<b>European:</b> Quattro S/Expert, AP2 (5 and 6-pin)	
<b>Interchangeable Cores:</b>	Small format Best and equivalents (6 or 7-pin length)	
<b>Removable Cores:</b>	Large format ASSA, Medeco, Yale (5 or 6-pin), Corbin Russwin, Schlage, and Sargent	

## Installation

<b>Ease of Installation:</b>	LectroBolt™ (patent pending) eliminates wiring to or through the door—no risk of pinched wires
<b>Door Preparation:</b>	<b>E-Plex 5000 Cylindrical and E-Plex 5000 Exit Trim-</b> ASA 161 ( <i>Easily installs on door preparation with two additional through bore holes (wood or metal doors)</i> ) <b>E-Plex 5000 Mortise-</b> ASA 86 door preparation with two additional through bore holes
<b>Door Thickness:</b>	<b>E-Plex 5000 Cylindrical-</b> 1 3/8" (35 mm) to 2 1/4" (57 mm) Preassembled to accommodate doors 1 5/8" (41 mm) to 2" (50 mm) <b>E-Plex 5000 Mortise-</b> 1 3/4" (44 mm) to 2 1/4" (57 mm) Preassembled to accommodate doors 1 5/8" (41 mm) to 2" (50 mm) <b>E-Plex 5000 Exit Trim-</b> 1 3/4" (44 mm) to 2 1/4" (57 mm) Preassembled to accommodate doors 1 3/4" (44 mm) to 2 1/8" (54 mm)
<b>Items Supplied With Include:</b>	<b>E-Plex 5000 Cylindrical and E-Plex 5000 Mortise-</b> Lock assembly, installation manual, template, quick reference guide, operations manual, and required hardware <b>E-Plex 5000 Exit Trim-</b> Lock assembly, installation manual, template, quick reference guide, operations manual, and required hardware. Exit Device and mounting hardware not included
<b>Additional Items Supplied with Key-in-Lever Cylinder Model Only:</b>	<b>E-Plex 5000 Cylindrical and E-Plex 5000 Mortise-</b> Universal Kaba 1599 6-pin cylinder with tailpiece, four additional tailpieces, and two nickel silver keys <b>E-Plex 5000 Exit Trim-</b> Universal Kaba 1599 6-pin cylinder with tailpiece, four additional tailpieces, nickel silver keys, and spare cylinder retainer

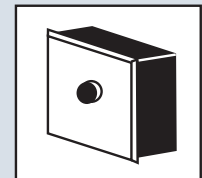
## E-Plex 5000 Exit Trim Dimensions



## Optional Features



• PC Software



• Remote Unlock

## Certification and Testing

---

**Accessibility** Americans with Disabilities Act (ADA)

**Standard:**

**Durability:** **E-Plex 5000 Cylindrical**-ANSI/BHMA A156.25, Grade 1 Certification

**E-Plex 5000 Mortise**-ANSI/BHMA A156.13, Grade 1 Certification

**E-Plex 5000 Exit Trim**-ANSI/BHMA A156.3, Grade 1 Certification

**Fire Rating:** Three-hour UL/ULC fire door rating for "A" labeled doors

**Environmental:** Indoor/Outdoor Approved

Front Housing: -31° F (-35° C) to + 151° F (66° C)

Rear Housing: -31° F (-35° C) to + 130° F (55° C)

---

## Warranty

---

**Warranty:** Three-year warranty from date of installation; built-in warranty counter in lock memory

---

## Available Finishes

---

**Standard Finishes:** Satin Chrome 26D (626) housings & levers

Black (676) housings with Satin Chrome (626) levers and accents

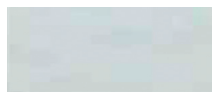
**Optional Finishes:** Bright Brass 03 (605) housings and levers

Satin Brass 04 (606) housings and levers

Bright Chrome 026 (625) housings and levers

Dark Bronze (744-Simulates 10B/613) housings and levers with Satin Brass (606) pushbuttons

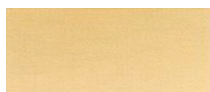
---



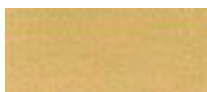
Satin Chrome



Black



Bright Brass



Satin Brass



Bright Chrome



Dark Bronze

**Disclaimer:** While reasonable efforts were made to ensure the accuracy of this document at the time of printing, Kaba assumes no liability for any errors or omissions. This information is subject to be revised without notice, and changes may be incorporated in future releases.

KAA1054 0310